

apaiser



# INSTALLATION & CARE GUIDE

GENERAL GUIDE FOR BATH, BASIN & VANITY INSTALLATIONS



---

# INSTALLATION

2.

## IMPORTANT NOTES

### BEFORE YOU START

- apaiser freestanding baths are designed to sit directly on the floor surface, and typically do not have a cavity designed to hide plumbing components. Please ensure suitable provision for connections are established prior to installation.
- For product protection, place product on a clean drop cloth or similar material.
- Please note all apaiser products pass rigorous quality control procedures including visual and physical inspection. Please carefully inspect the product and fittings for any damage which may have occurred in transport.
- In the unlikely event an apaiser product has arrived with damage, please do not install the product and report to apaiser within 48 hours. See warranty details for further information.
- Should any product be installed, despite a fault having been found and reported, without authorisation, apaiser will not accept liability for the cost of labour to remove and install any replacement product(s).

### GENERAL INSTALLATION NOTES

- The use of a licensed plumbing contractor is essential. Please consult your licensed plumbing contractor to determine suitable plumbing connections.
- Crates and cartons must never be turned onto their side or end, with the product inside. Doing so may damage your product and void the warranty.
- Always observe correct lifting techniques when moving apaiser products. Obtain sufficient help to safely lift or move product.
- All apaiser products should be secured into place using trade-quality wet area approved silicone.
- All apaiser products are hand-crafted and dimensions are subject to tolerances. We recommend using your own custom-made product for any cut-outs or templates, to ensure accuracy.
- apaiser vanities must be supported by way of a suitable framework or hung by suitable bracketing. Check with your sales consultant regarding approximate weights.
- These installation instructions are considered a guide only. Each installation, specific conditions and compliance requirements may differ, so it is your responsibility to source suitable plumbing connections and ensure compliance with local building codes and regulations.
- It is possible to repair minor chips and scratches obtained during installation. Please contact your sales consultant for advice. However, all care should be taken to protect the product and prevent damage.
- When cleaning the product after installation, please refer to the care and maintenance instructions at the end of this guide for more information.
- Your toe touch/pop-up waste plug is packed within the crate or carton. Please do not discard.
- Please thoughtfully dispose of all packaging materials by reusing or recycling where possible.
- For advice or support, please contact [service@apaizer.com](mailto:service@apaizer.com), or your apaiser sales consultant.

---

# BATH INSTALLATION

3.

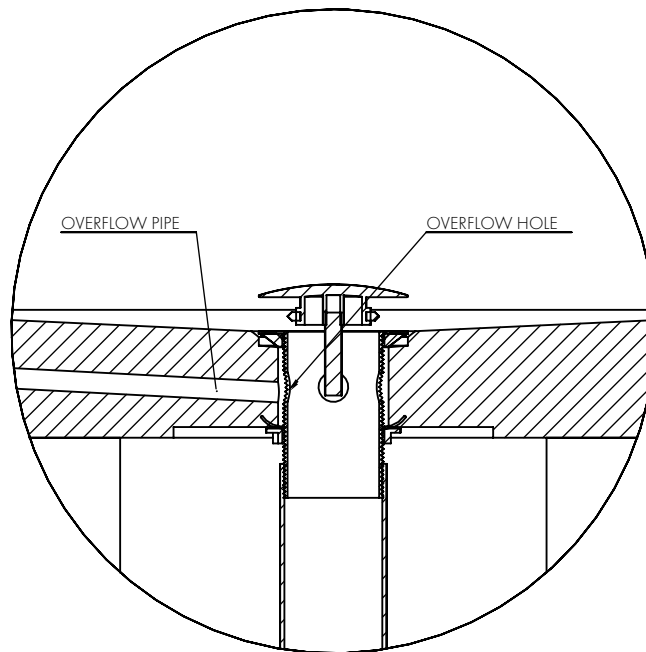
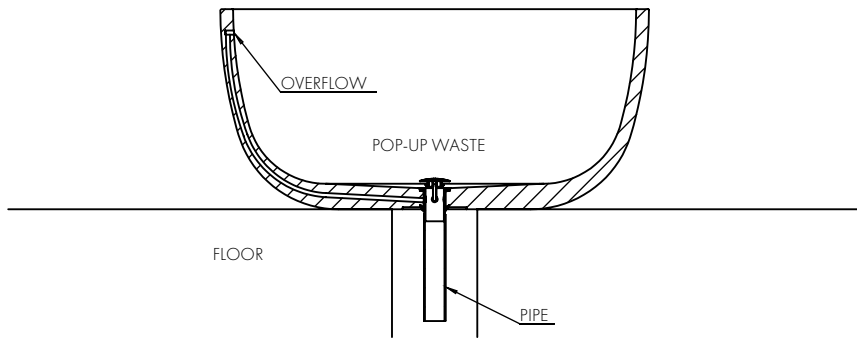
## PLACEMENT AND CONNECTION

1. Check to make sure the floor surface is flat and level.
2. Place the bath into position over the waste outlet hole so the waste is aligned and sit the bath on equal height supports no higher than the maximum extension of your flexible hose or pipe.
3. Reach beneath the bath and connect the outlet to the bath waste thread. If the bath has an overflow, ensure that the hole in the waste thread aligns with the overflow discharge point in the bath waste hole. Secure the pipe and the waste and at this stage, water test to ensure a watertight seal. Do not over tighten the waste as this may cause damage to the product.
4. Remove the supports, and gently lower the bath into position. Fill the bath with water and water test again to make sure the toe touch waste is working effectively and that there are no leaks.
5. Lift the bath again and support with small blocks. Using bathroom-grade (mould-resistant) clear silicone, apply beads of silicone in approximately 5cm (2 inch) circles, two on each side of the bath, one at the head, and one at the foot of bath. Be sure to reach far enough under the bath that the silicone is not compressed out between the floor and tub when lowered into position. Ensure any excess silicone is cleaned immediately.
6. Remove the supports, and gently lower bath to floor. Silicone may be applied around the base of the bath if required.
7. We recommend you flush out the overflow pipe to remove any debris which may have collected during installation, if applicable.
8. To protect the newly installed bath, we recommend using a plastic tarp or cloth to cover the bath until all construction works are finished.
9. Please note, if the rubber seals are left dry for long periods before first use, this may affect the efficacy of the seal. Please check again for any leakage before handover in this instance.

**PLEASE SEE THE FOLLOWING PAGE FOR ILLUSTRATED EXAMPLE OF A BATHTUB INSTALLATION.**

# BATH INSTALLATION

4.



\*For illustrated purposes only. Toe touch waste supplied. Select suitable pipes and connections in accordance with local regulations.

---

# BASIN INSTALLATION

5.

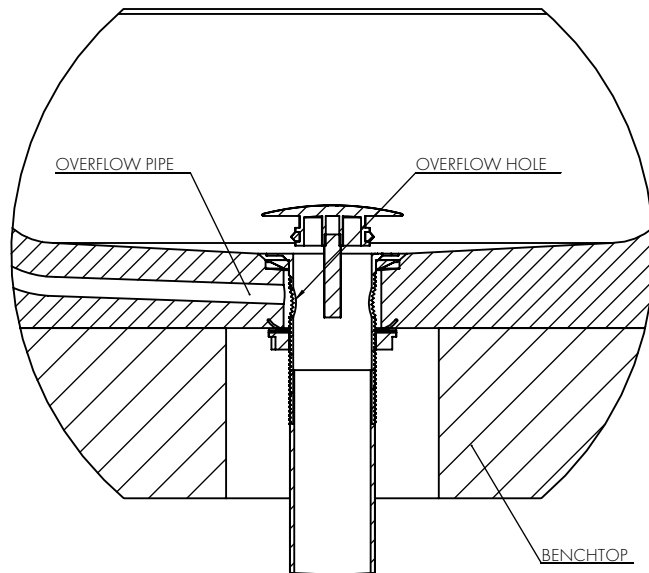
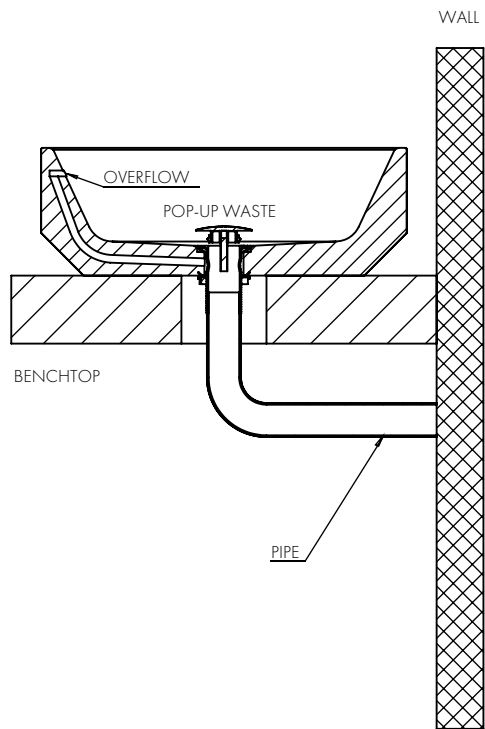
## PLACEMENT AND CONNECTION

1. Place the basin into position on your countertop/joinery, ensure the pop-up waste aligns with your pre-drilled hole, and there is sufficient thread exposed to allow for a secure connection.
2. Connect your outlet to the basin waste thread. If the basin has an overflow, ensure that the hole in the waste thread aligns with the overflow discharge point within the waste hole. Secure the pipe and the waste and at this stage, water test to ensure a watertight seal. Do not over tighten as this may damage your product.
3. Once tested, disconnect the waste and lift the basin onto supports. Using bathroom-grade (mould-resistant) clear silicone, apply beads of silicone evenly where the base of the basin meets the countertop. Lower into position and immediately remove any excess silicone. Reconnect the waste to the pipe, ensuring overflow alignment and being mindful not to over tighten. Water test again to ensure the drainage is working effectively.
4. Silicone may be applied around the base of the basin if required.
5. We recommend you flush out the overflow pipe to remove any debris which may have collected during installation.
6. To protect the newly installed basin, we recommend you use a plastic sheet or cloth to cover the basin until all construction works are finished.
7. Please note, if the rubber seals are left dry for long periods before first use, this may affect the efficacy of the seal. Please check again for any leakage before handover in this instance.

**PLEASE SEE THE FOLLOWING PAGES FOR ILLUSTRATED EXAMPLES OF BASIN INSTALLATIONS.**

# BASIN INSTALLATION

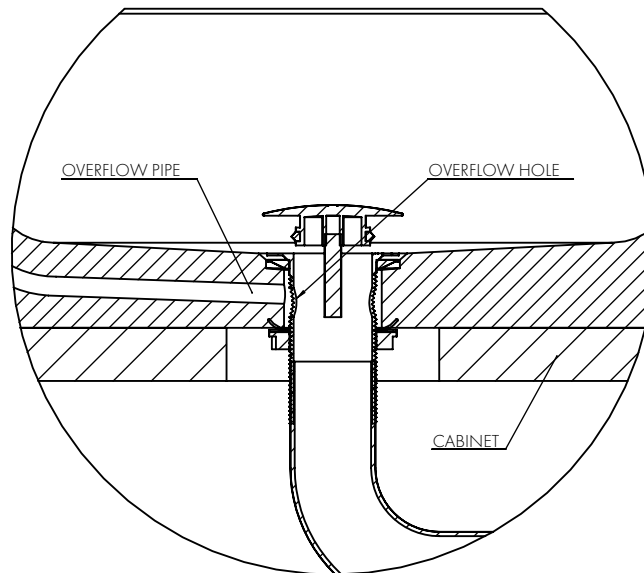
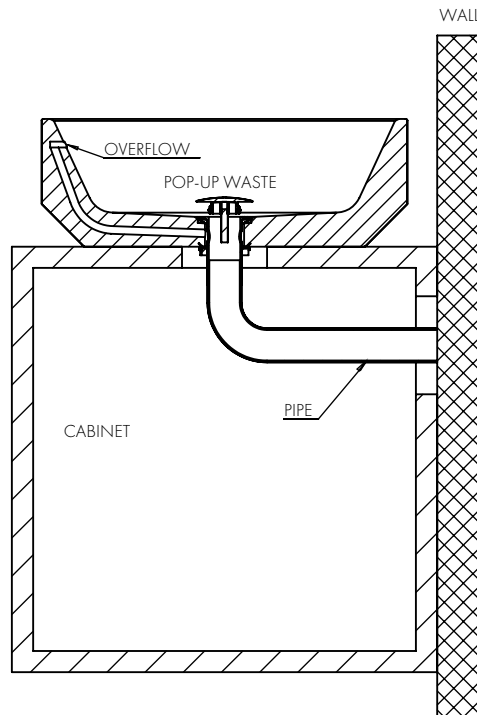
6.



\*For illustrated purposes only. Toe touch waste supplied. Select suitable pipes and connections in accordance with local regulations.

# BASIN INSTALLATION

7.



\*For illustrated purposes only. Toe touch waste supplied. Select suitable pipes and connections in accordance with local regulations.

---

# FREESTANDING BASIN INSTALLATION

8.

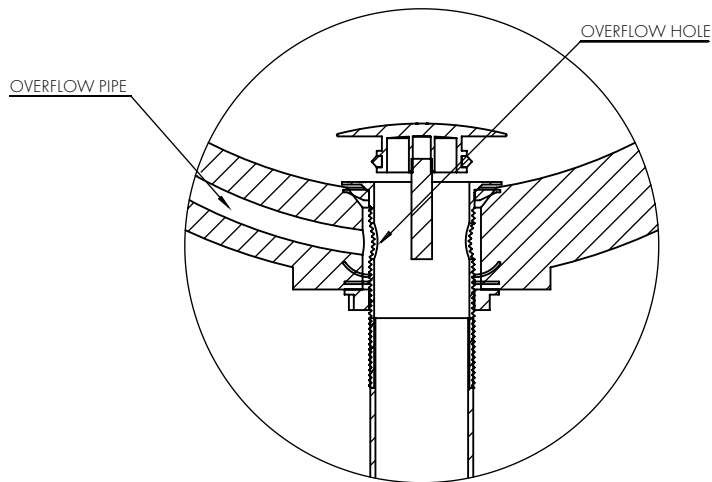
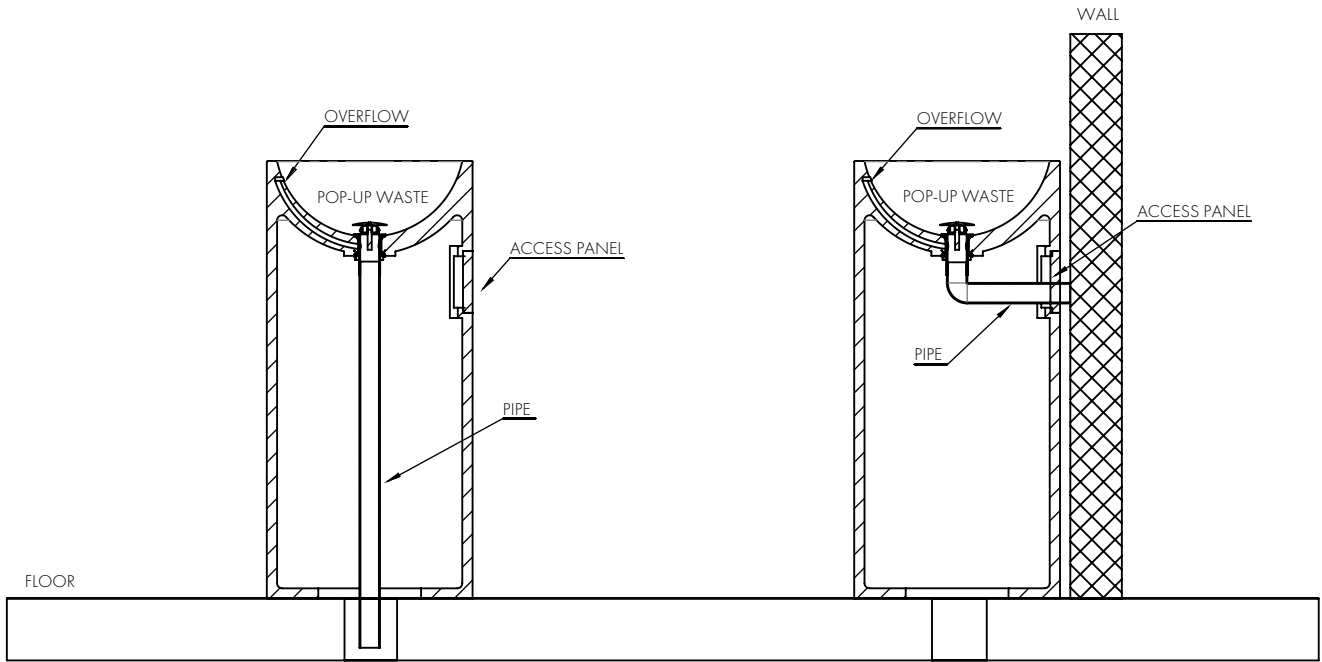
## PLACEMENT AND CONNECTION

1. Check the location of your waste trap/pipe. This may be a floor or wall pipe depending on the site conditions and local compliance.
2. Locate the access panel cover, and do not discard.
3. Place the basin into position, Ensure the pop-up waste aligns with your pipe and there is sufficient thread exposed to allow for a secure connection.
4. Connect your outlet to the basin waste thread (using the access point at the rear of the basin). If the basin has an overflow, ensure that the hole in the waste thread aligns with the overflow discharge point within the waste hole. Secure the pipe and the waste and at this stage, water test to ensure a watertight seal. Do not over tighten as this may damage your product.
5. Once tested, disconnect the waste and lift the basin onto the supports. Using bathroom-grade (mould-resistant) clear silicone, apply beads of silicone evenly where the base of the basin meets the floor. Lower into position and immediately remove any excess silicone. Reconnect the waste to the pipe, ensuring overflow alignment and being mindful not to overtighten. Water test again to ensure the drainage is working effectively.
6. Silicone may be applied around the base of the basin if required.
7. If your waste outlet is in the floor and concealed by the basin, use silicone to fix the access panel cover in place. Please note the marks that indicate which way to position the cover to ensure a perfect fit.
8. We recommend you flush out the overflow pipe to remove any debris which may have collected during installation.
9. To protect the newly installed basin, we recommend you use a plastic sheet or cloth to cover the basin until all construction works are finished.
10. Please note, if the rubber seals are left dry for long periods before first use, this may affect the efficacy of the seal. Please check again for any leakage before handover in this instance.

**PLEASE SEE THE FOLLOWING PAGE FOR ILLUSTRATED EXAMPLE OF A FREESTANDING BASIN INSTALLATION.**

# FREESTANDING BASIN INSTALLATION

9.



\*For illustrated purposes only. Toe touch waste supplied. Select suitable pipes and connections in accordance with local regulations.

---

# VANITY INSTALLATION

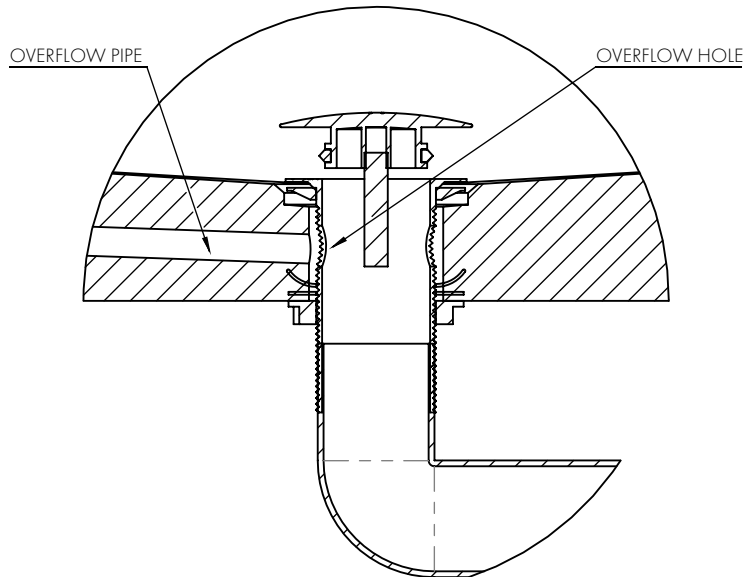
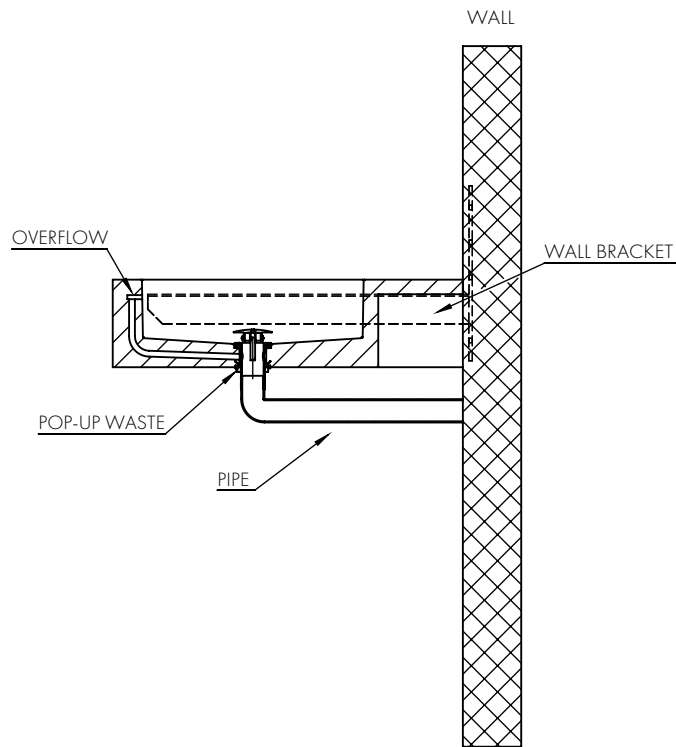
## PLACEMENT AND CONNECTION

1. Place vanity top into position on your pre-built joinery unit or your mounting brackets (please note, brackets are not supplied). Ensure the pop-up basin waste aligns with your pre-drilled hole and pipe, and there is sufficient thread exposed to allow for a secure connection.
2. Connect your outlet to the basin waste thread. If the basin has an overflow, ensure that the hole in the waste thread aligns with the overflow discharge point within the waste hole. Secure the pipe and the waste and at this stage, water test to ensure a watertight seal. Do not over tighten as this may damage your product.
3. Once tested, disconnect the waste and lift the vanity top onto supports. Using bathroom-grade (mould-resistant) clear silicone, apply beads of silicone evenly where the base of the vanity meets the countertop or bracket. Lower into position and immediately remove any excess silicone. Reconnect the waste to the pipe, ensuring overflow alignment and being mindful not to over tighten. Water test again to ensure the drainage is working effectively.
4. We recommend you flush out the overflow pipe to remove any debris which may have collected during installation.
5. To protect the newly installed vanity, we recommend you use a plastic sheet or cloth to cover the vanity top until all construction works are finished.
6. Please note, if the rubber seals are left dry for long periods before first use, this may affect the efficacy of the seal. Please check again for any leakage before handover in this instance.

**PLEASE SEE THE FOLLOWING PAGES FOR ILLUSTRATED EXAMPLES OF VANITY INSTALLATIONS.**

# VANITY INSTALLATION

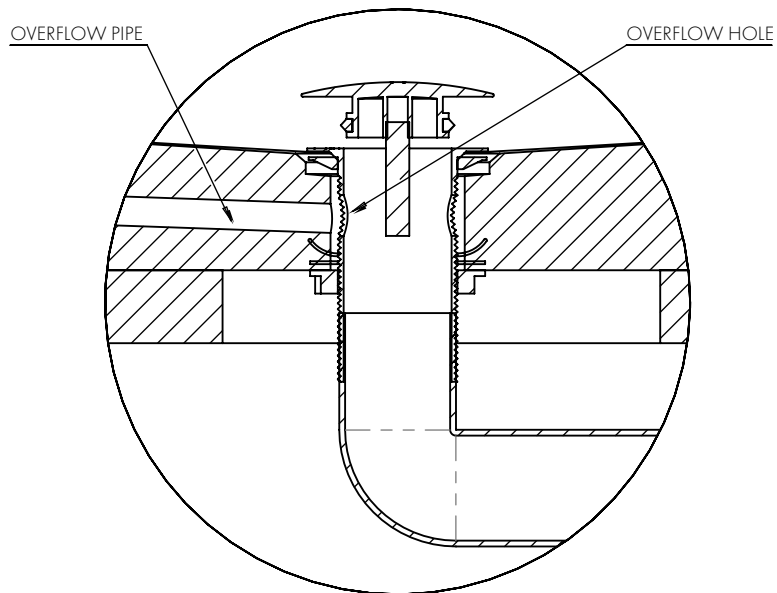
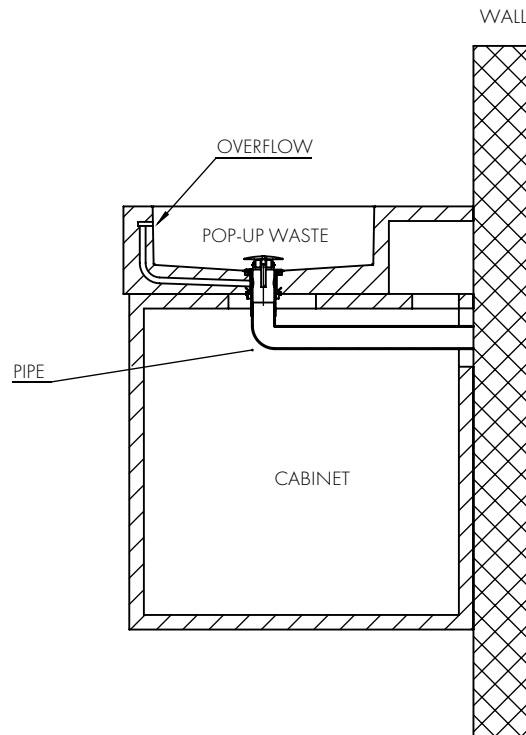
11.



\*For illustrated purposes only. Toe touch waste supplied. Select suitable pipes and connections in accordance with local regulations.

# VANITY INSTALLATION

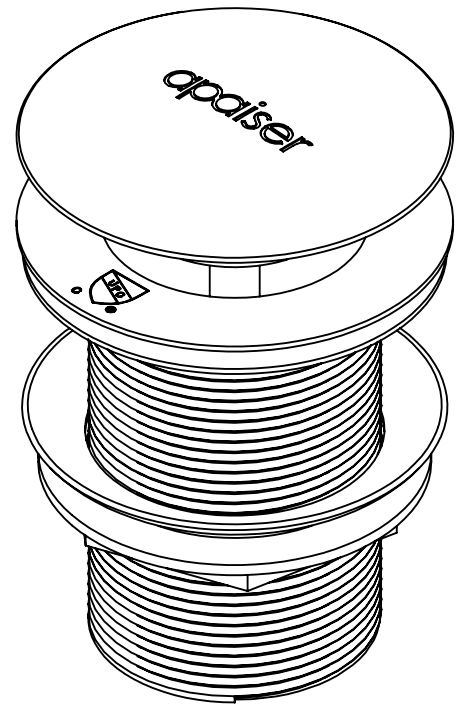
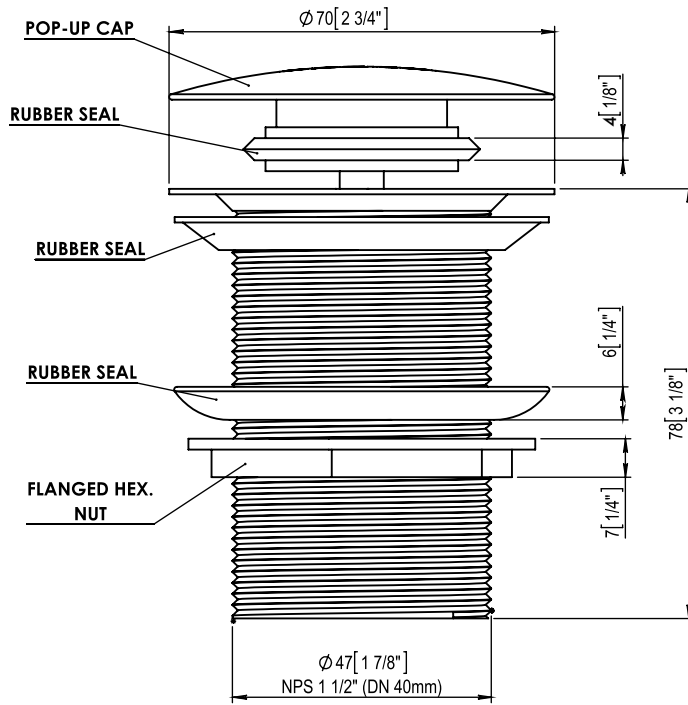
12.



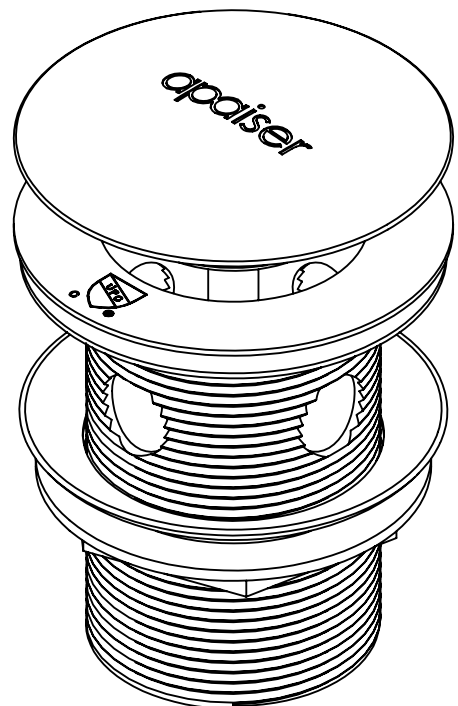
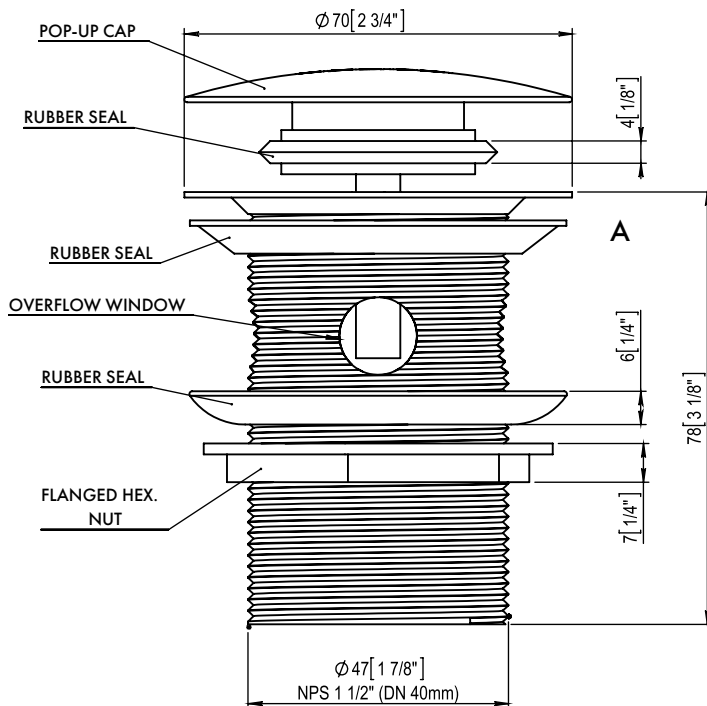
\*For illustrated purposes only. Toe touch waste supplied. Select suitable pipes and connections in accordance with local regulations.

# BATH WASTES

## WITHOUT OVERFLOW



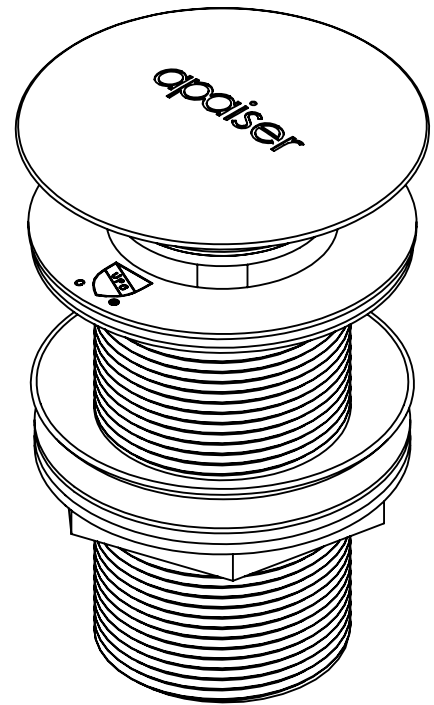
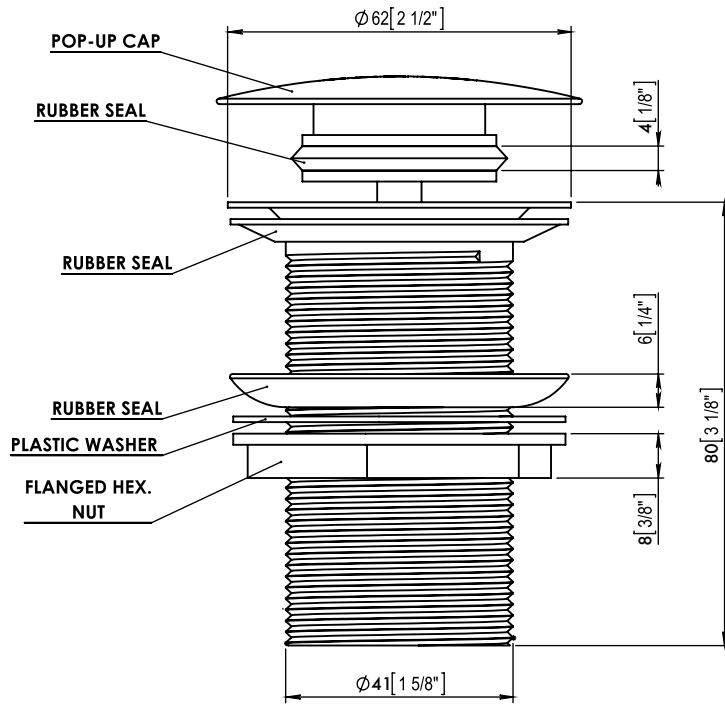
## WITH OVERFLOW



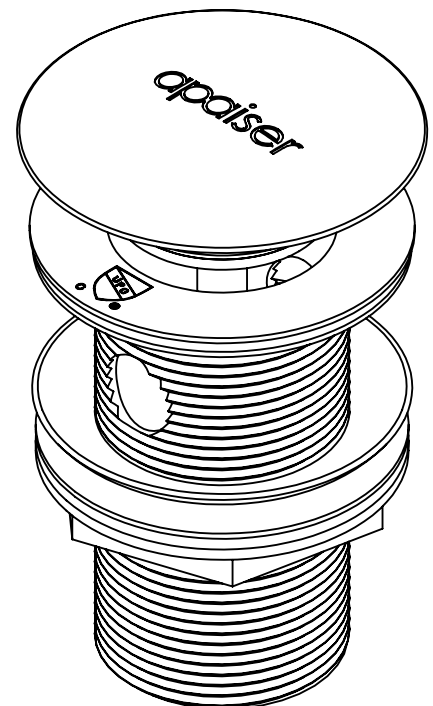
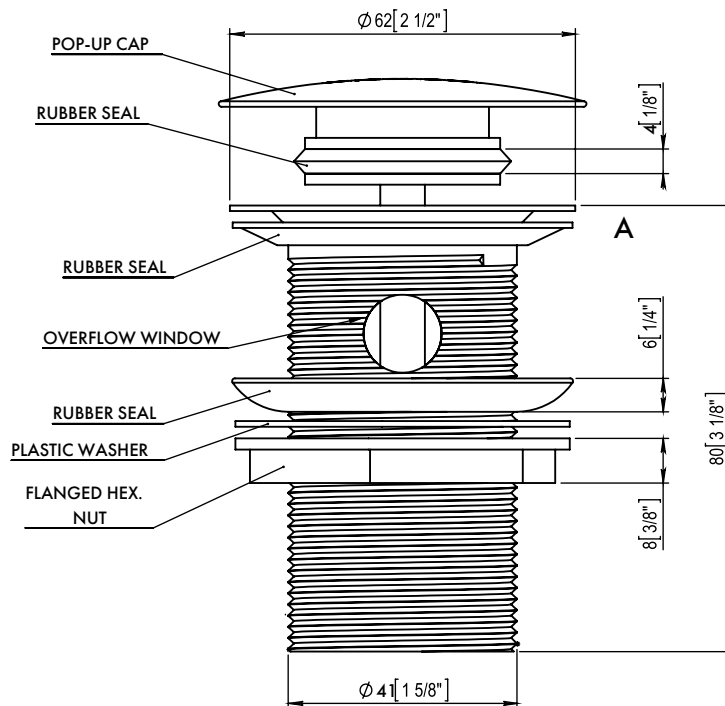
# BASIN WASTES

14.

## WITHOUT OVERFLOW



## WITH OVERFLOW



---

# CLEANING

## HOW TO CLEAN YOUR APAISER PRODUCTS

### AFTER INSTALLATION

The core properties of apaiserMARBLE® mean that the product is inert and non-porous. After installation of your product, if required, wash the item with warm water and a microfibre cloth. Stubborn marks may be removed with a cream cleanser such as Jif/Cif.

### DAILY CLEANING

- For daily cleaning, apaiser recommends a microfibre cloth and water.
- If a stain or substance is left on the surface, such as makeup, essential oils or soap scum and bath oils, use a cream cleanser and wet cloth.
- Be sure to rinse well, and fully dry your product after cleaning.

**NOTE:** Products containing acids may damage your apaiser product, and usage will void the warranty. Only products recommended by the manufacturer as safe for use with natural or composite stone and marble should be used.

### WHAT YOU WILL NEED



Water sprayer bottle



Microfibre Cloth



Cream Cleanser